

4

3

2

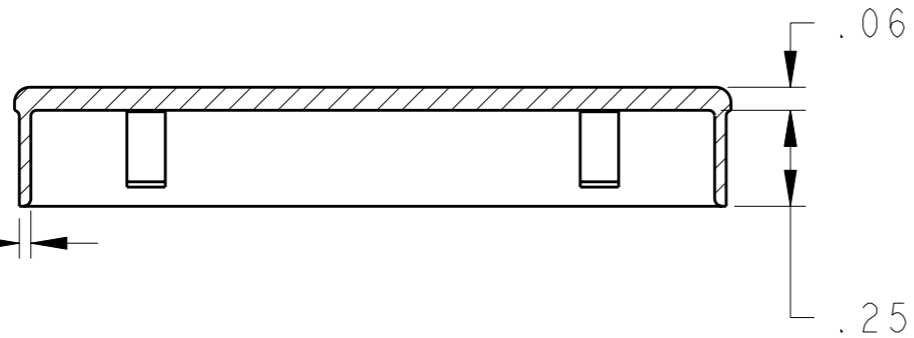
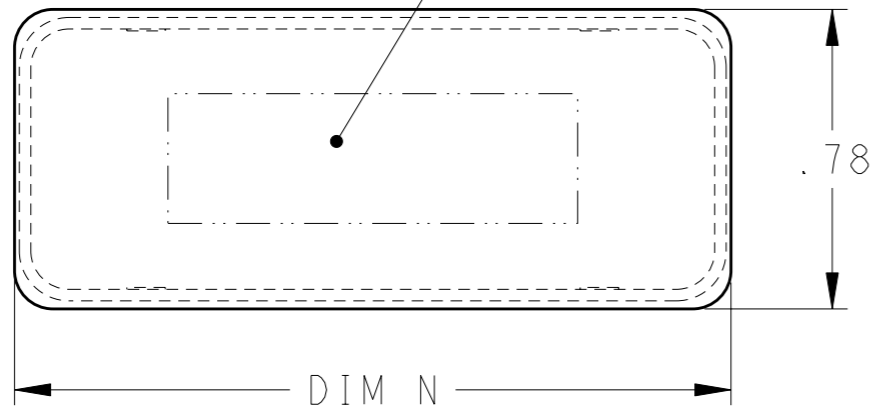
1

THIS DRAWING IS UNPUBLISHED. RELEASED FOR PUBLICATION

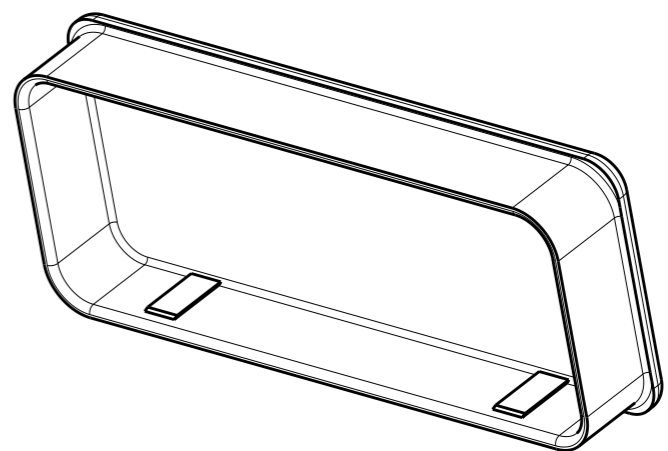
© COPYRIGHT - BY TYCO ELECTRONICS CORPORATION. ALL RIGHTS RESERVED.

LOC	DIST	REVISIONS				
P	LTR	DESCRIPTION	DATE	DWN	APVD	
-	-	A	RELEASED	1-5-09	CT	DM

MANUFACTURERS NAME AND PART NUMBER



.03 ALL AROUND



1.86	6 POSN	1604997-3
1.31	2 POSN	1604997-2
2.96	12 POSN	1604997-1
DIM N	USED ON	PART NUMBER

1 MATL: CONDUCTIVE THERMOPLASTIC

<small>THIS DRAWING IS A CONTROLLED DOCUMENT FOR TYCO ELECTRONICS CORPORATION IT IS SUBJECT TO CHANGE AND THE CONTROLLING ENGINEERING ORGANIZATION SHOULD BE CONTACTED FOR THE LATEST REVISION.</small>		DWN C.C. THOMAS 1-5-09 CHK D. MILLER 05JAN2010 APVD D. MILLER 05JAN2010		Tyco Electronics Harrisburg, PA 17105-3608	
DIMENSIONS: INCHES 		TOLERANCES UNLESS OTHERWISE SPECIFIED: 0 PLC ±. 1 PLC ±.1 2 PLC ±.01 3 PLC ±.005 4 PLC ±.0020 ANGLES ±1		NAME COVER, DUST, ESD, PLUG, QUADRAX RECTANGULAR	
MATERIAL 1		FINISH -		PRODUCT SPEC - APPLICATION SPEC - WEIGHT -	
CUSTOMER DRAWING			SIZE A3	CAGE CODE 00779	DRAWING NO C-1604997
SCALE 2:1			SHEET 1 OF 1	RESTRICTED TO - REV A	